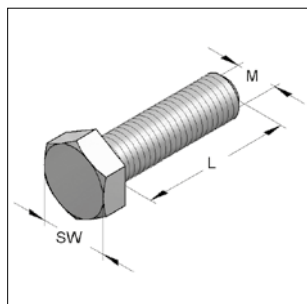


Tapbout



Tapbout

Uitvoering/montage:

Volgens DIN 933

Draad: M8, M10, M12, M16

Lengte: 16 tot 110 mm

Overige maten op aanvraag leverbaar

Technische gegevens:

Materiaal: Staal

Oppervlak: Verzinkt

Klasse: 8.8

| Omschrijving | Draad | SW [mm] | Lengte L [mm] | VPE [st] | Artikelnr. | | | |
|--------------|-------|------------|---------------------|-------------|------------|----|-----|-----------|
| Tapbout | M8 | 13 | 16 | 200 | 89565 | | | |
| | | | 20 | 200 | 89566 | | | |
| | | | 25 | 200 | 293500 | | | |
| | | | 30 | 200 | 89568 | | | |
| | | | 35 | 200 | 89569 | | | |
| | | | 40 | 200 | 89570 | | | |
| | | | 45 | 200 | 89571 | | | |
| | | | 50 | 200 | 89572 | | | |
| | | | 60 | 200 | 89573 | | | |
| | | | 70 | 200 | 89574 | | | |
| | | | 80 | 200 | 89575 | | | |
| | | | 90 | 100 | 89576 | | | |
| | | | 100 | 100 | 89577 | | | |
| Tapbout | M10 | 17 | 16 | 200 | 89578 | | | |
| | | | 20 | 200 | 89579 | | | |
| | | | 25 | 200 | 293501 | | | |
| | | | 30 | 200 | 89581 | | | |
| | | | 35 | 100 | 89582 | | | |
| | | | 40 | 100 | 89583 | | | |
| | | | 50 | 100 | 89585 | | | |
| | | | 60 | 100 | 89586 | | | |
| | | | 70 | 100 | 89587 | | | |
| | | | 80 | 100 | 89588 | | | |
| | | | 90 | 100 | 89589 | | | |
| | | | 100 | 100 | 89590 | | | |
| | | | Tapbout | M12 | 19 | 25 | 100 | 89593 |
| 30 | 100 | 89594 | | | | | | |
| 35 | 100 | 933-12x35 | | | | | | |
| 40 | 100 | 89596 | | | | | | |
| 45 | 100 | 89597 | | | | | | |
| 50 | 100 | 89598 | | | | | | |
| 60 | 100 | 89599 | | | | | | |
| 70 | 50 | 89600 | | | | | | |
| 80 | 50 | 89601 | | | | | | |
| 90 | 50 | 89602 | | | | | | |
| 100 | 50 | 89603 | | | | | | |
| Tapbout | M16 | 24 | | | | 30 | 50 | 933-16x30 |
| | | | | | | 35 | 50 | OVB0081 |
| | | | 40 | 50 | OVB0032 | | | |
| | | | 45 | 50 | OVB0094 | | | |
| | | | 50 | 50 | OVB0080 | | | |
| | | | 60 | 50 | OVB0006 | | | |
| | | | 70 | 25 | OVB0038 | | | |
| | | | 75 | 25 | OVB0037 | | | |
| | | | 80 | 25 | OVB0012 | | | |
| | | | 90 | 25 | OVB0074 | | | |
| | | | 100 | 25 | OVB0086 | | | |
| | | | 110 | 25 | OVB0151 | | | |

